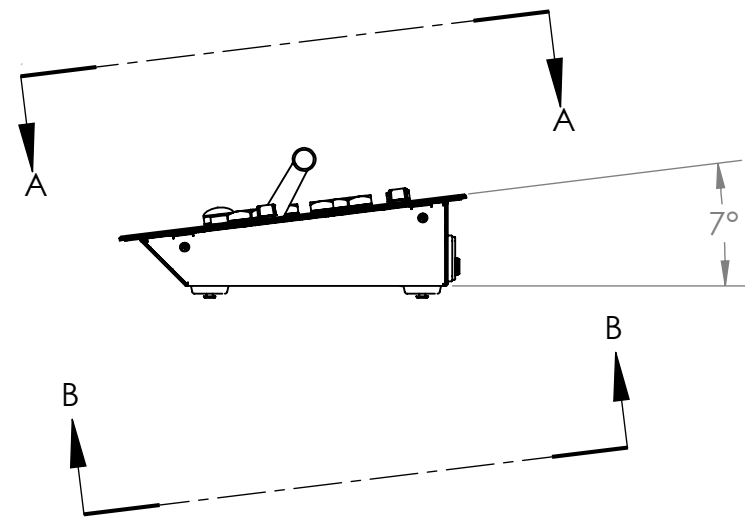
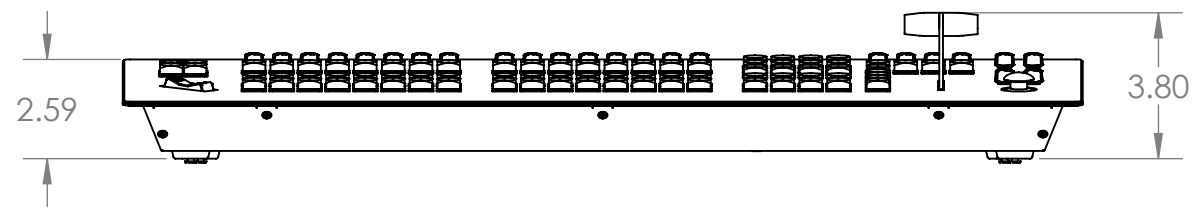
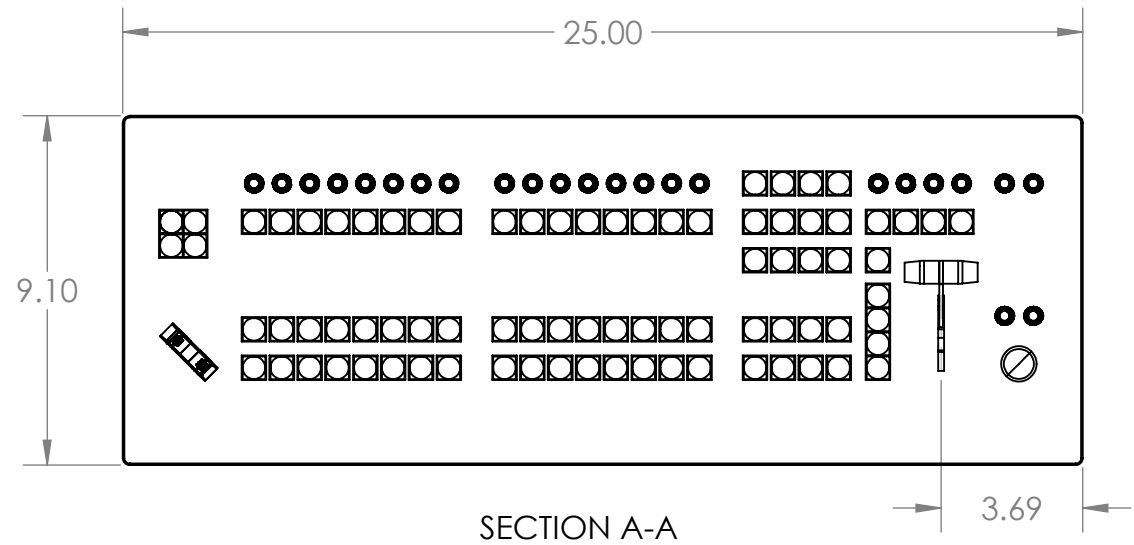


DRAFTER	REV.	DESCRIPTION	DATE
T.STEVENSON	1.0.0	New drawing	04-25-22



MODEL BASED DIMENSIONS
 ALL MODEL DIMENSION TOLERANCES DETERMINED PER STANDARD DRAWING TOLERANCES. DIMENSIONS NOT CALLED OUT ON THE DRAWING WILL BE DETERMINED BY THE PROVIDED MODEL: Flex Medium CS ICD.sldprt

PROPRIETARY AND CONFIDENTIAL
 THE INFORMATION CONTAINED IN THIS DRAWING IS THE SOLE PROPERTY OF NEWTEK. ANY REPRODUCTION IN PART OR AS A WHOLE WITHOUT THE WRITTEN PERMISSION OF NEWTEK IS PROHIBITED.

UNLESS OTHERWISE SPECIFIED:
 DIMENSIONS ARE IN INCHES
 TOLERANCES:
 ANGULAR ±0.5°
 TWO PLACE DECIMAL ±0.01
 THREE PLACE DECIMAL ±0.005

MATERIAL

FINISH

DO NOT SCALE DRAWING

NewTek		
TITLE: Flex Control Panel		
SIZE B	DWG. NO. Flex Control Panel ICD	REV .0.0
SCALE: 1:5	WEIGHT:	SHEET 1 OF 2

8 7 6 5 4 3 2 1

D

D

24.0^{+0.125}
-0.000

C

C

8.2^{+0.125}
-0.000

B

B

AREA TO CUT

A

A

SECTION B-B
SCALE 1 : 2

DWG. NO.:	Flex Medium CS ICD
SCALE: 1:5	REV: 1.0.0 SHEET 2 OF 2

8 7 6 5 4 3 2 1