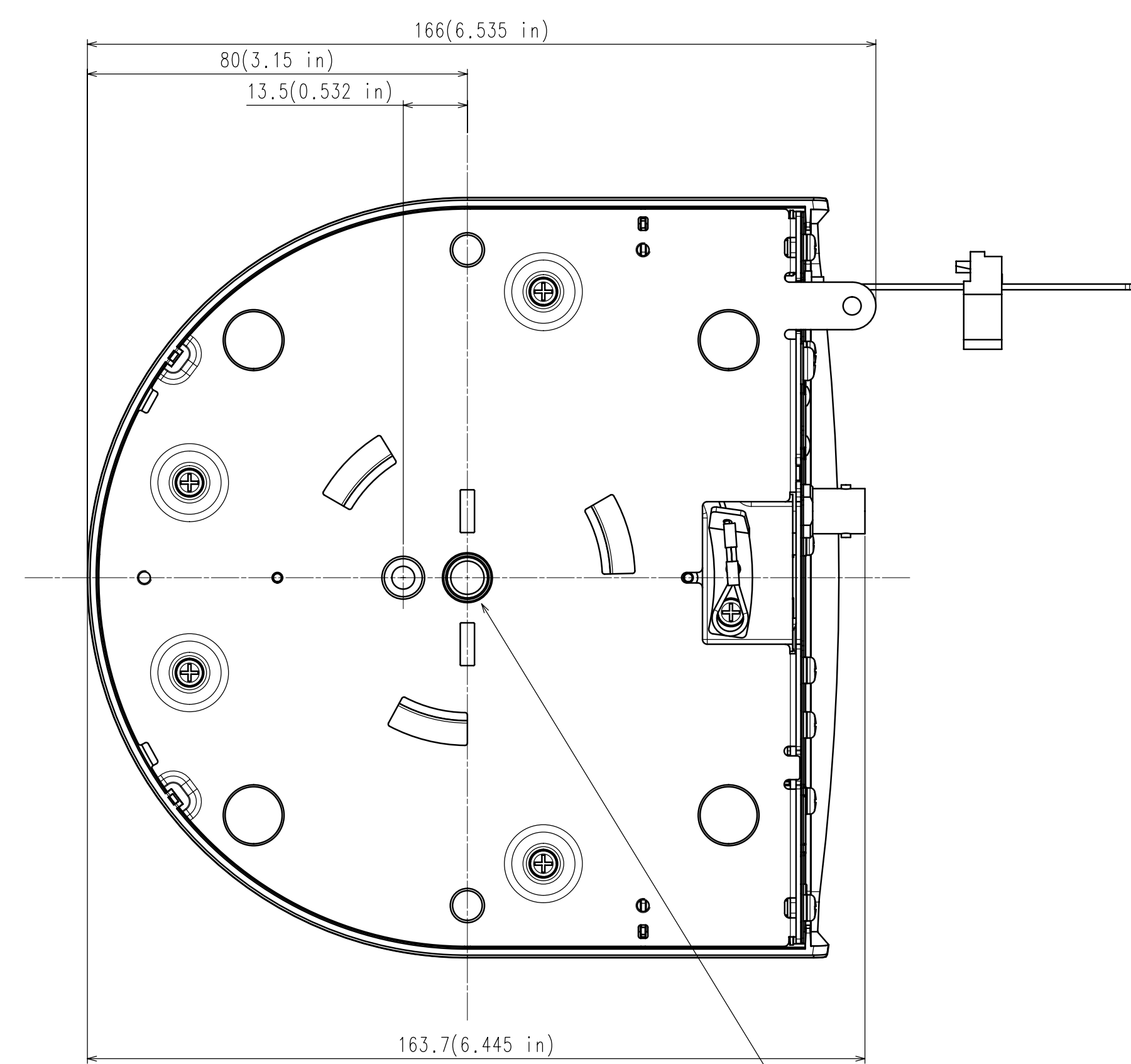
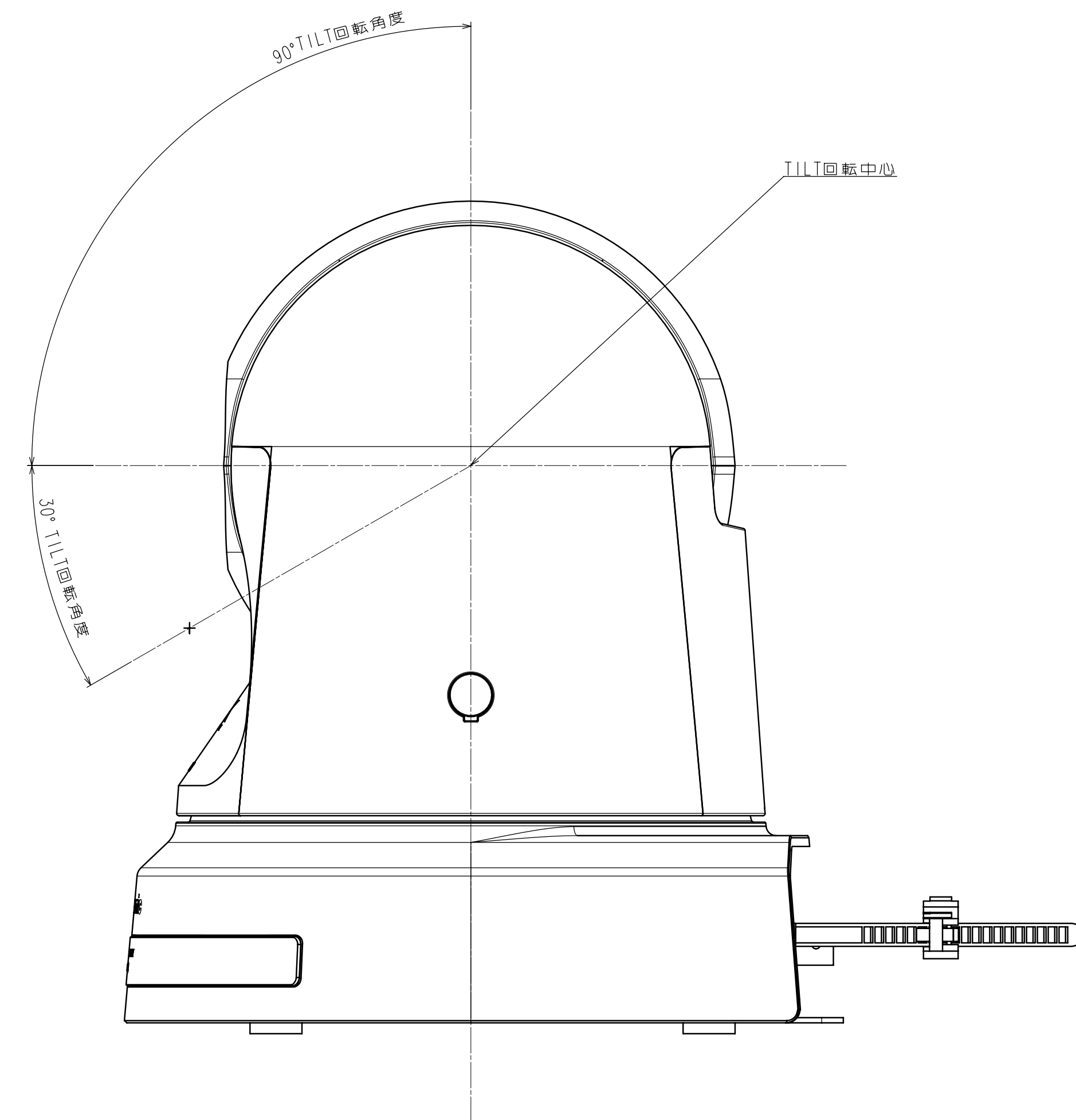
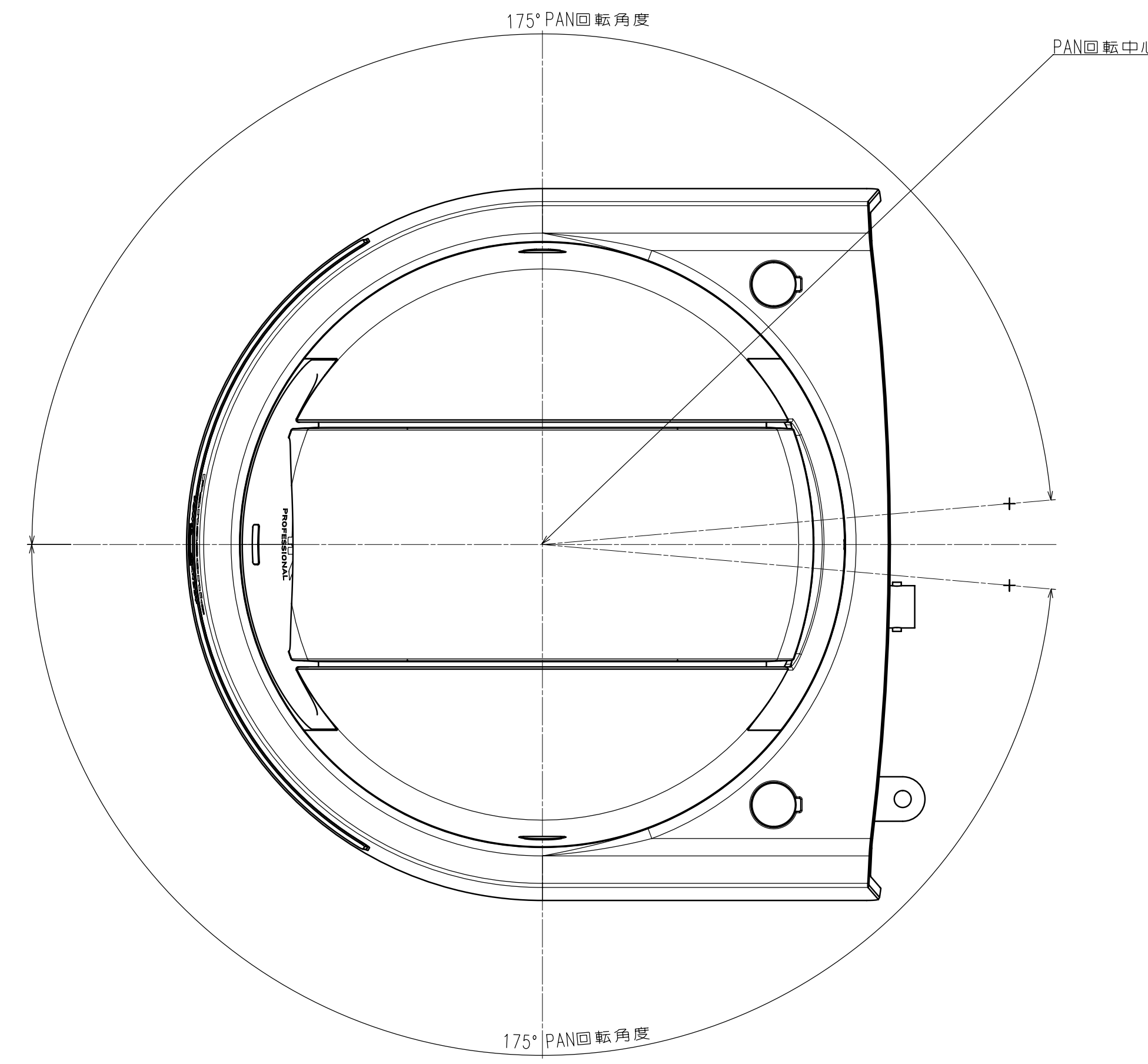
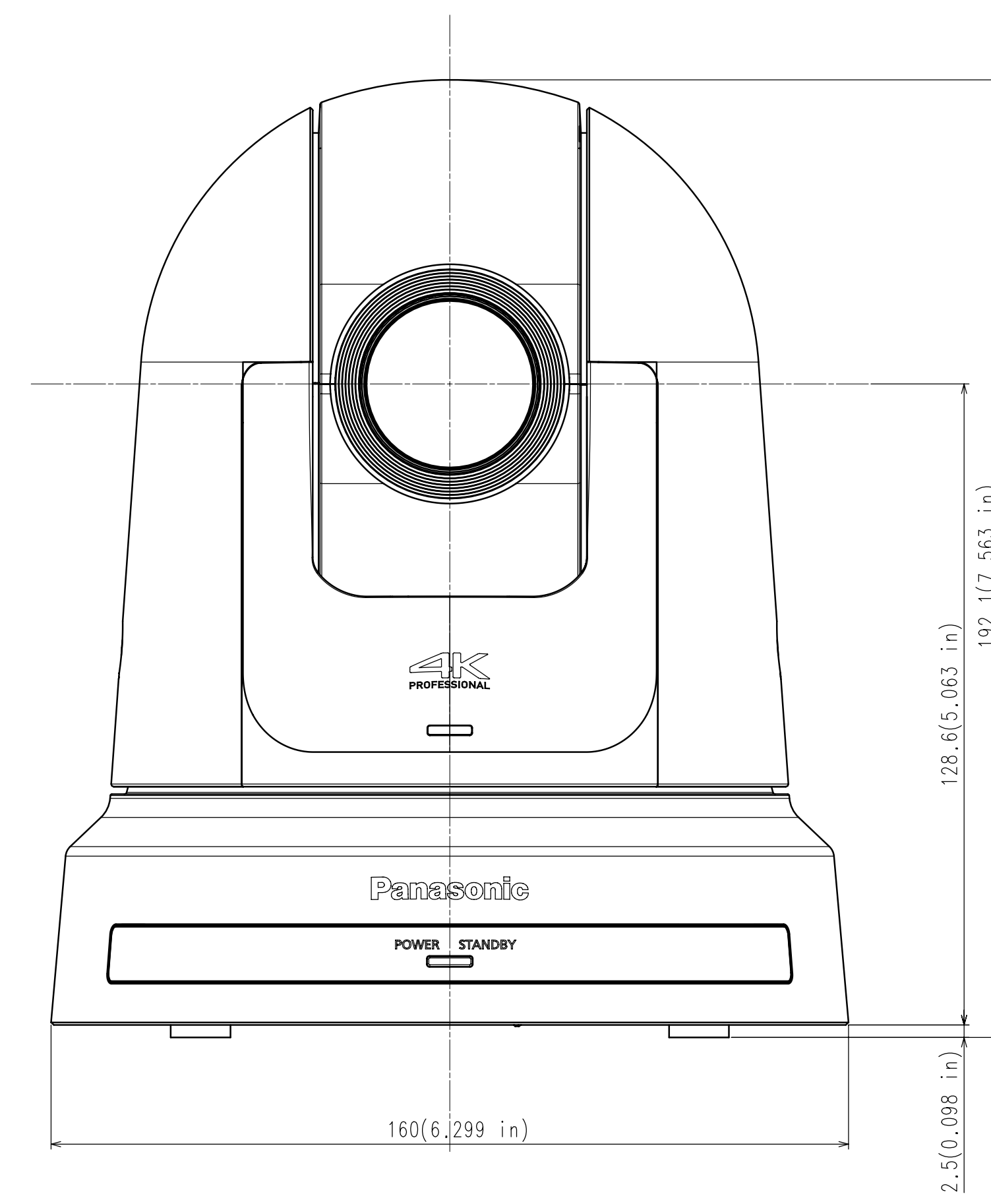


AW-UE50W/K

单位: mm / Unit: mm



Threaded hole
(Screw diameter: 1/4-20UNC, ISO[6.35mm])
有効ネジ深さ7(0.246 in)Max

