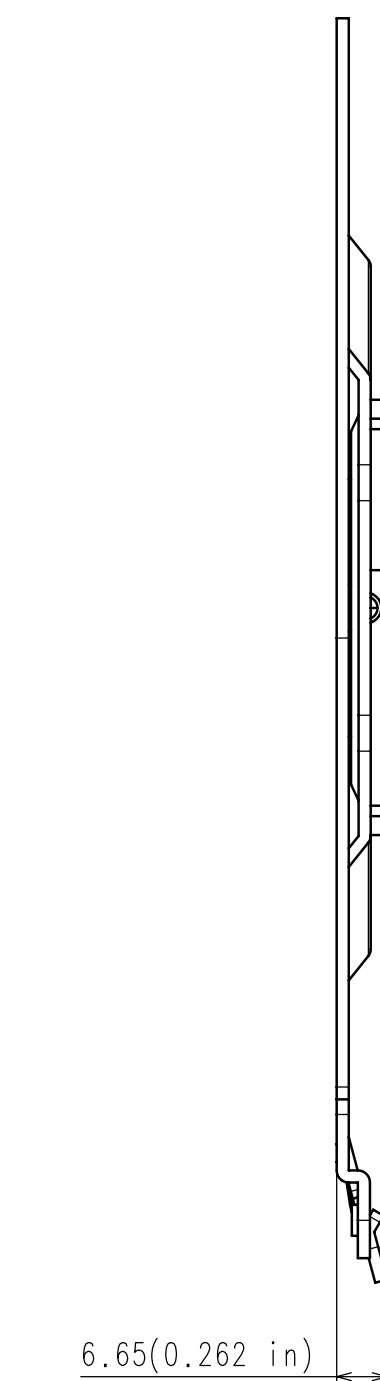
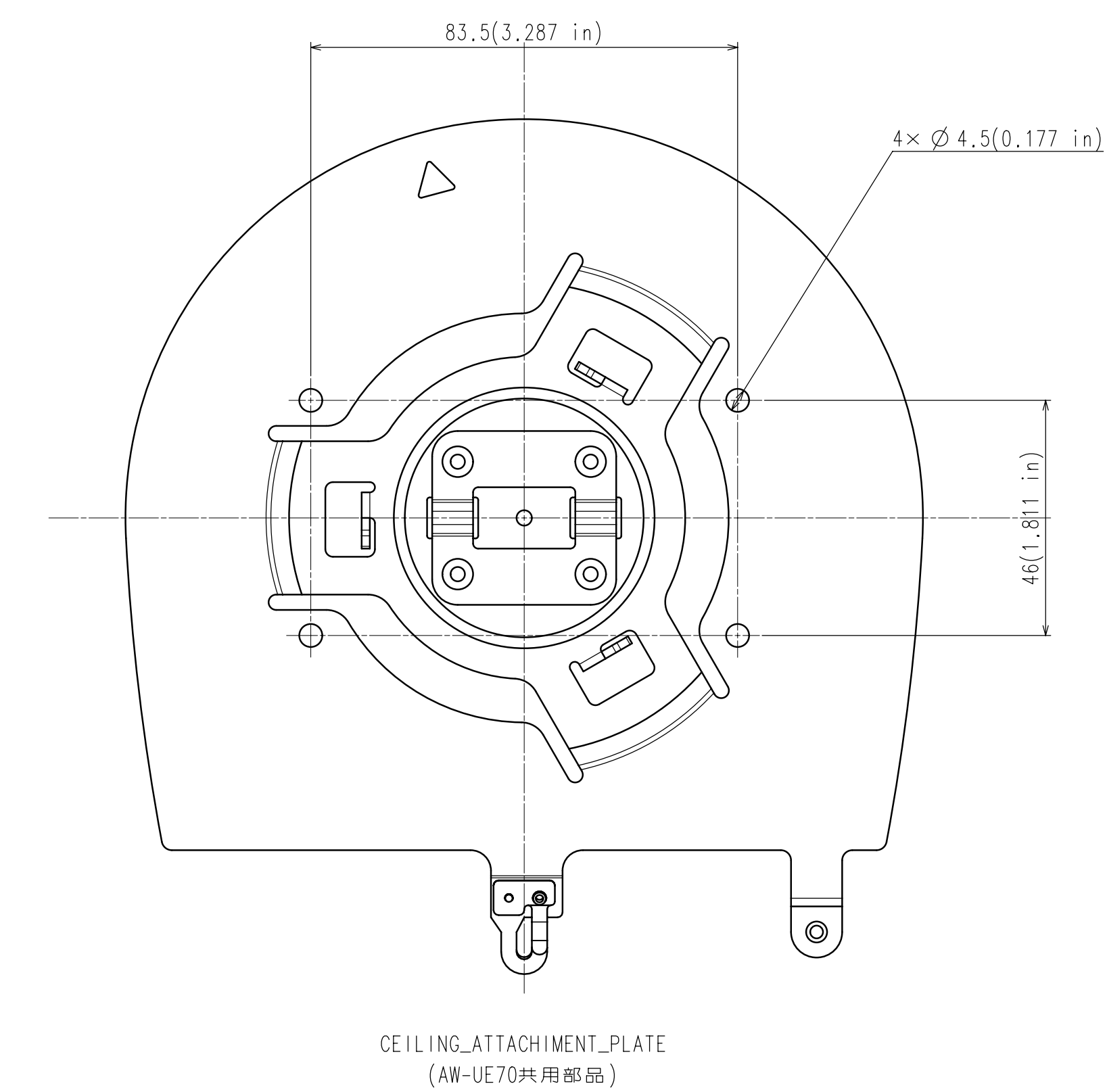
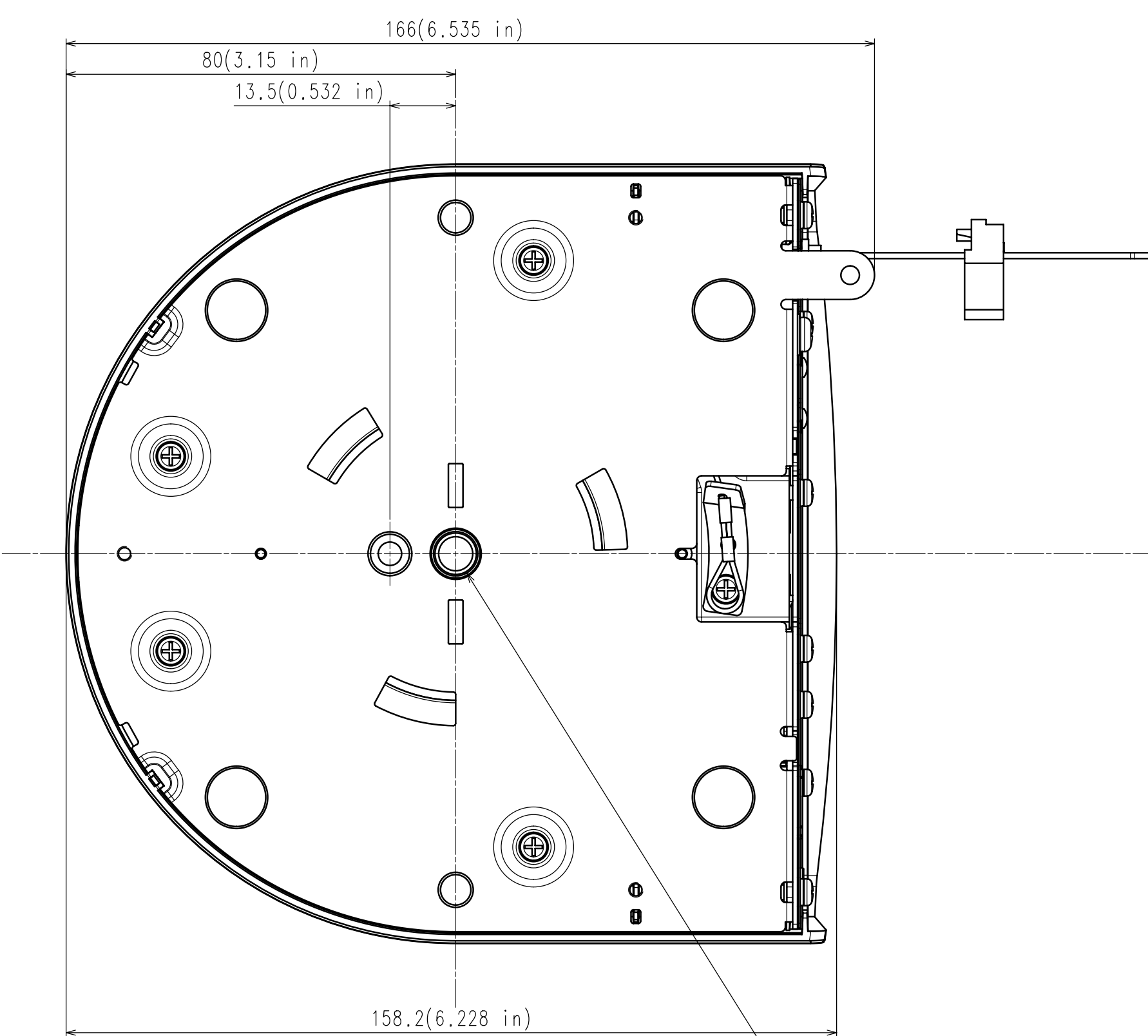
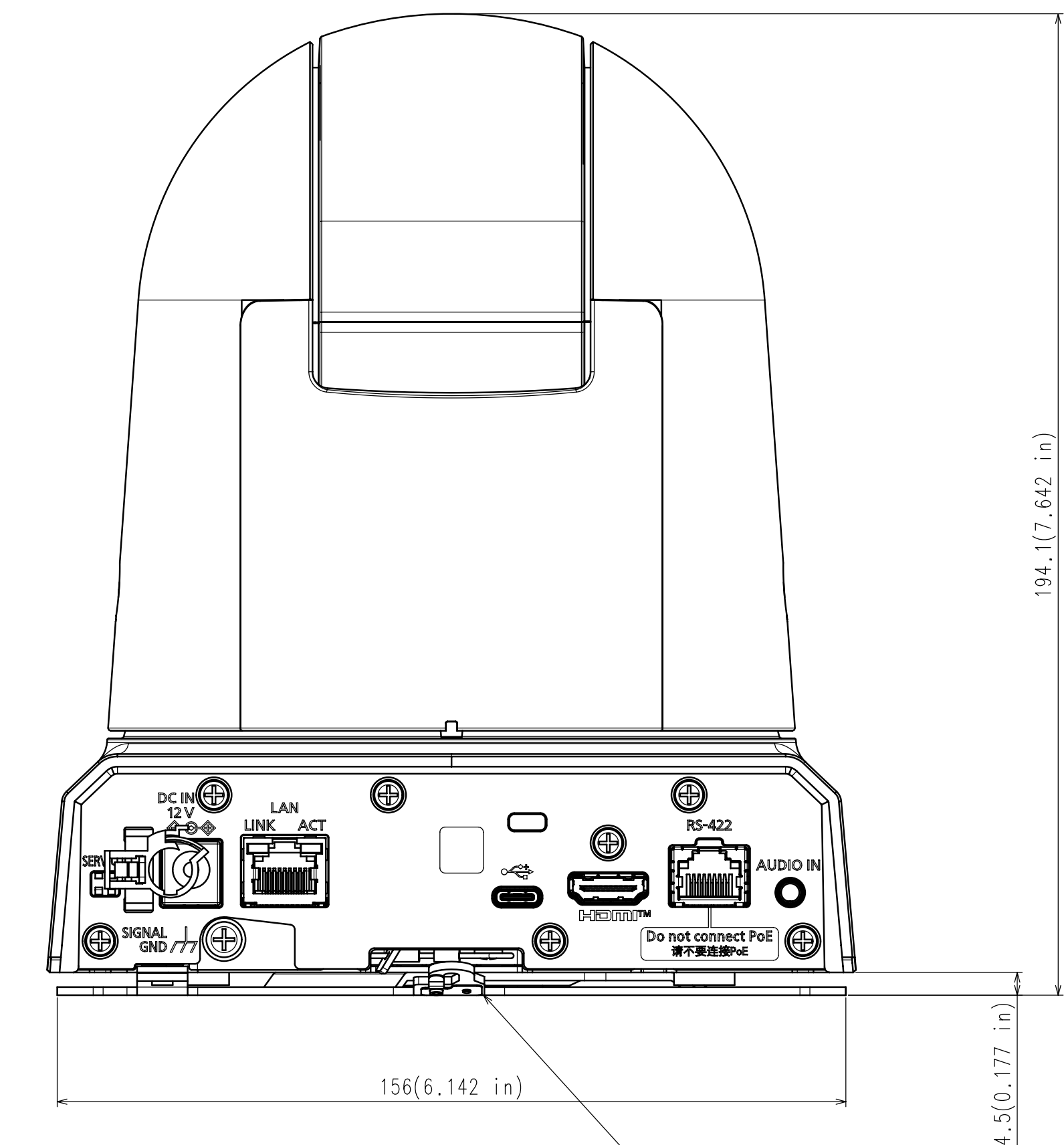
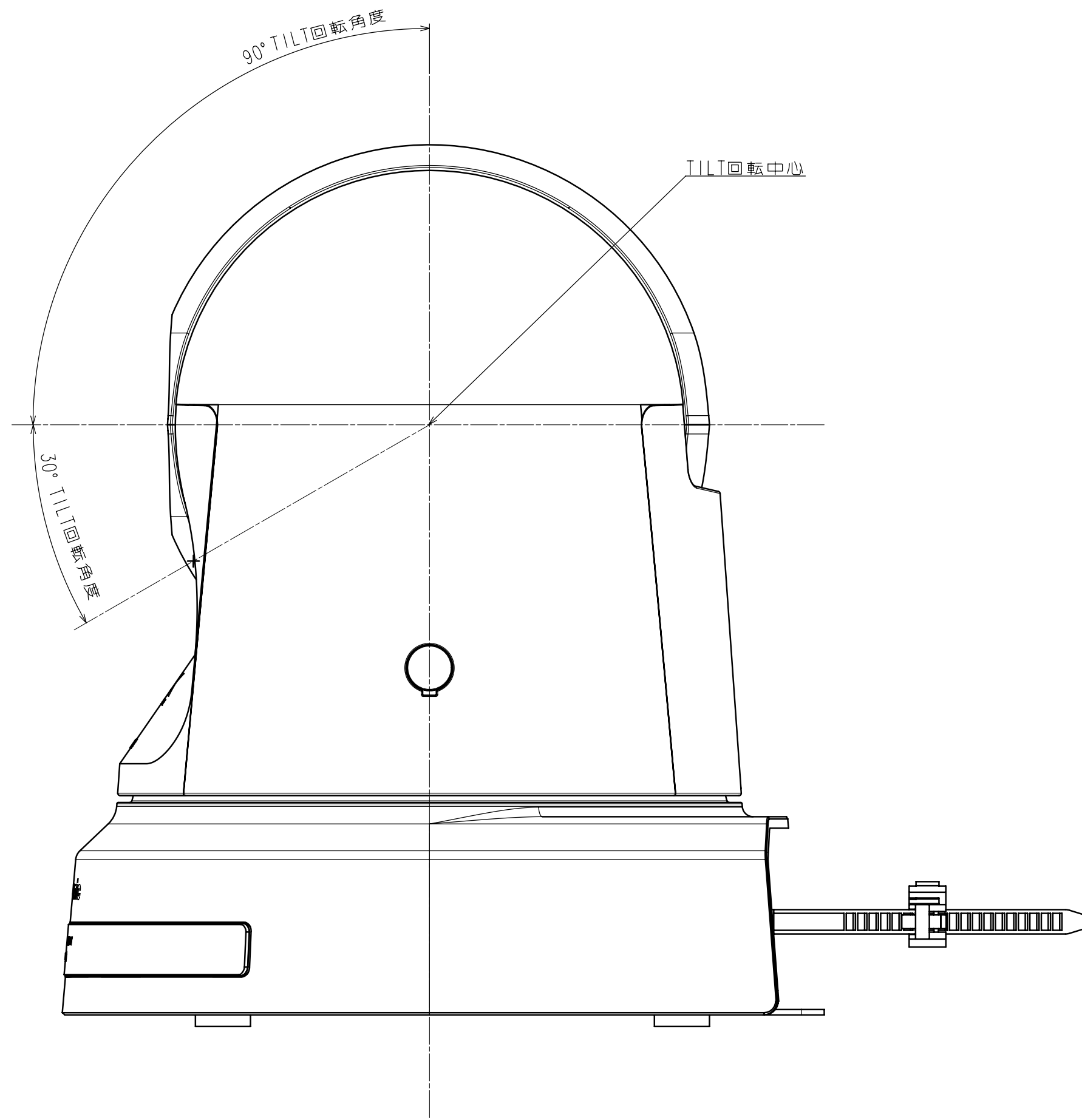
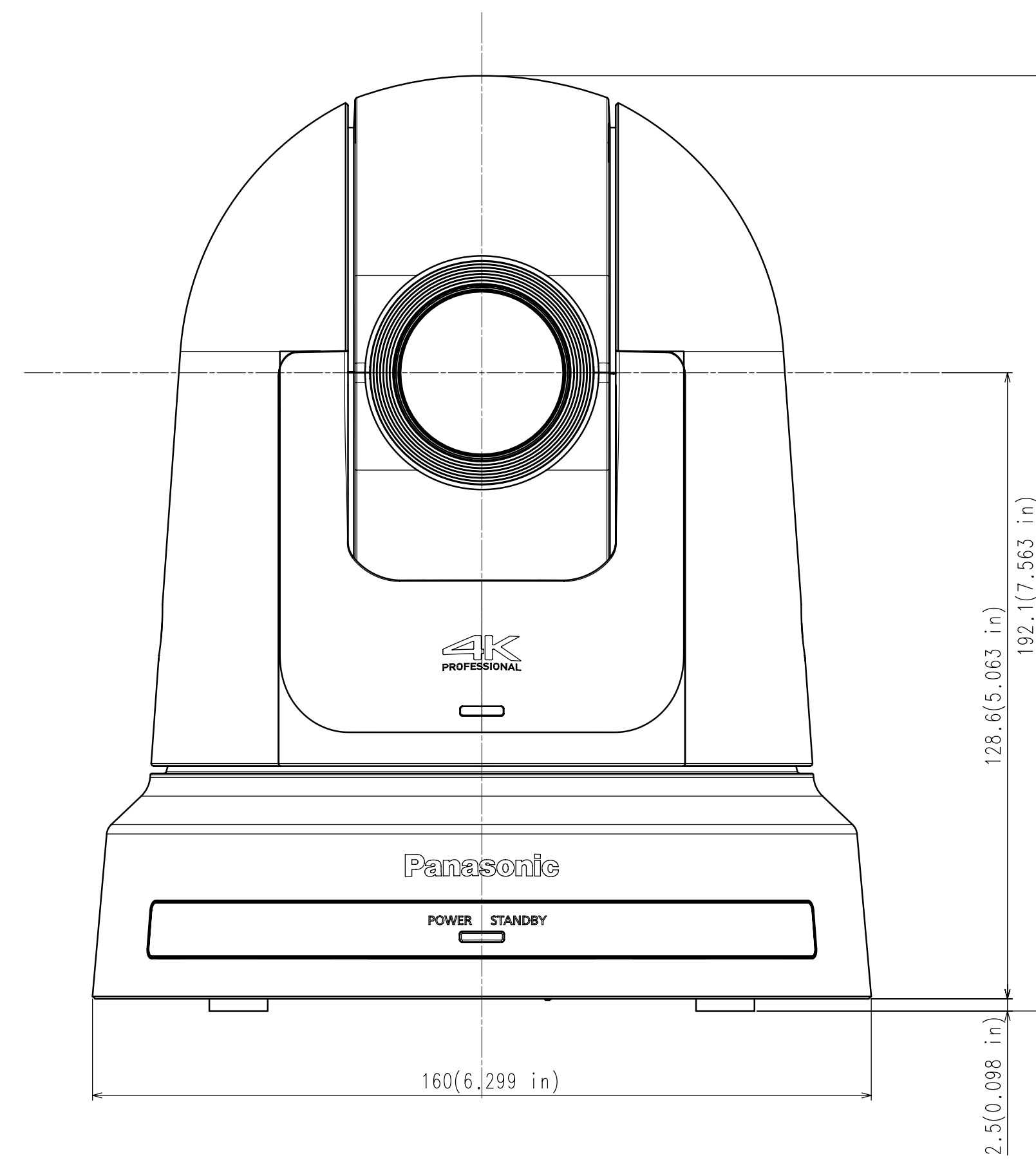
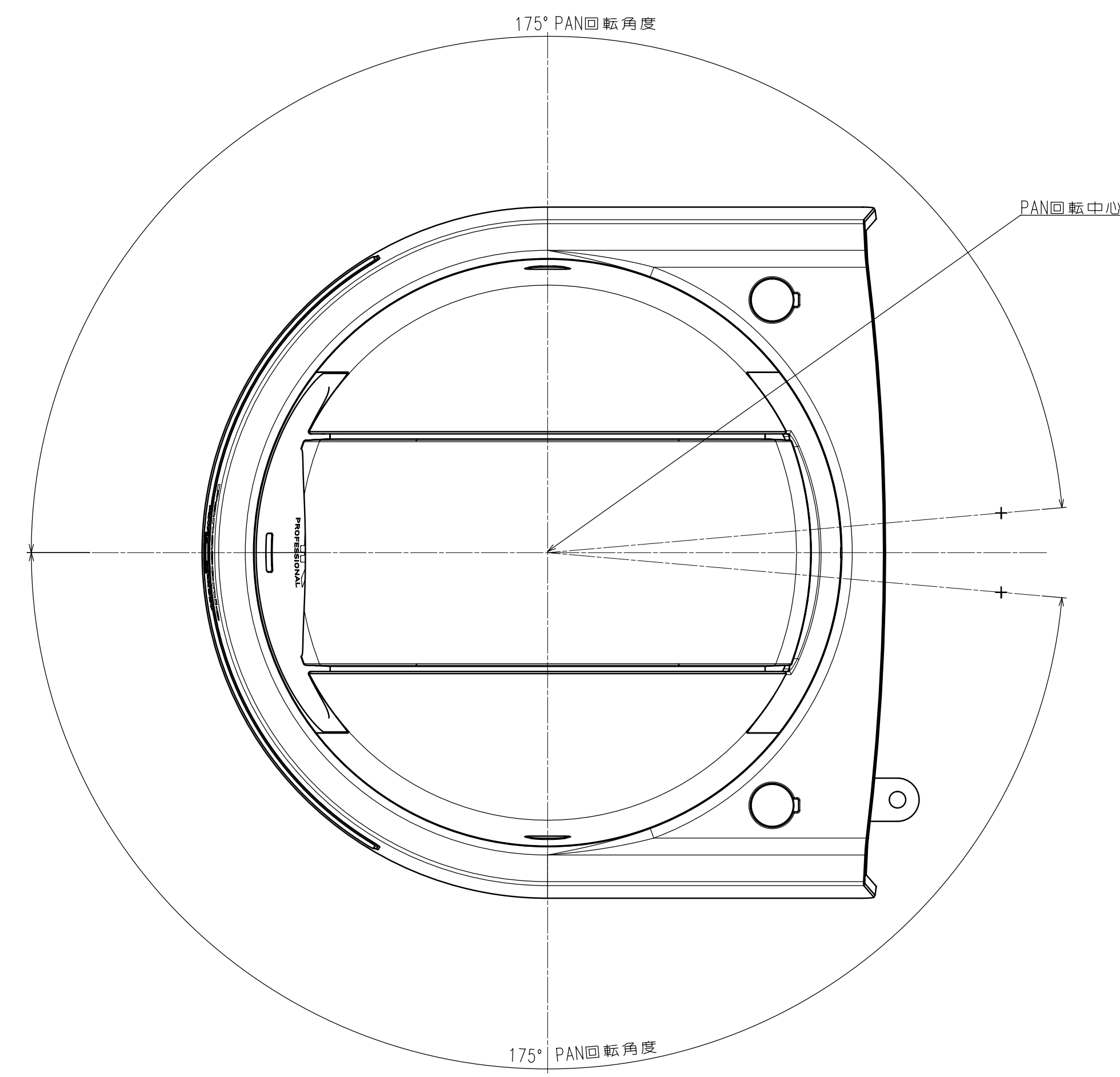


AW-UE40W/K

单位: mm / Unit: mm



Threaded hole
(Screw diameter: 1/4-20UNC, 1.50 [6.35mm])
有效ネジ深さ 7 (0.246 in) Max